

INSTALLATION INSTRUCTIONS FOR RECTANGULAR TO ROUND DUCT ADAPTERS

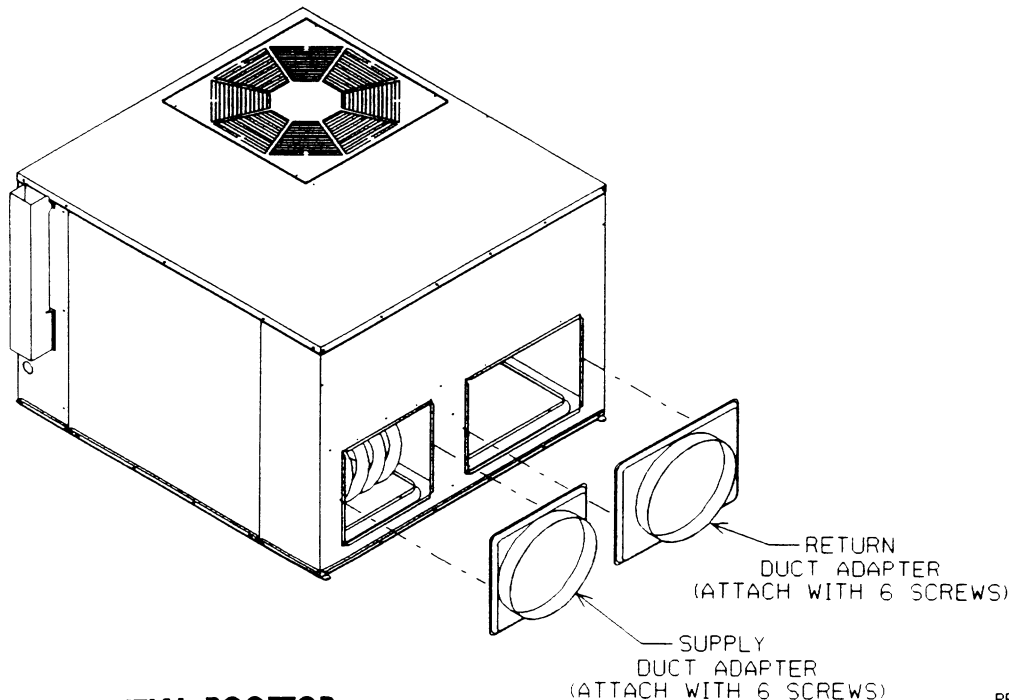
▲ WARNING

THESE INSTRUCTIONS ARE INTENDED AS AN AID TO QUALIFIED SERVICE PERSONNEL FOR PROPER INSTALLATION, ADJUSTMENT AND OPERATION OF THIS UNIT. READ THESE INSTRUCTIONS THOROUGHLY BEFORE ATTEMPTING INSTALLATION OR OPERATION. FAILURE TO FOLLOW THESE INSTRUCTIONS MAY RESULT IN IMPROPER INSTALLATION, ADJUSTMENT, SERVICE OR MAINTENANCE, POSSIBLY RESULTING IN FIRE, ELECTRICAL SHOCK, CARBON MONOXIDE POISONING, EXPLOSION, PROPERTY DAMAGE, PERSONAL INJURY OR DEATH.

▲ WARNING

TURN OFF MAIN ELECTRICAL POWER AT THE BRANCH CIRCUIT DISCONNECT CLOSEST TO THE UNIT BEFORE ATTEMPTING ANY MAINTENANCE. FAILURE TO DO SO CAN CAUSE ELECTRICAL SHOCK RESULTING IN SEVERE PERSONAL INJURY OR DEATH.

1. Ensure that both the supply duct adapter and the return duct adapter have the gasket tape applied on the back side of them.
2. Attach the supply duct adapter, using six of the screws provided. See figure below and on back of these instructions.
3. Attach the return duct adapter using six of the screws provided. See figure below and on back of these instructions.
4. **IMPORTANT: Seal all duct connections with a good silicone sealant or with duct tape. Improper seals can lead to inadequate unit performance.**



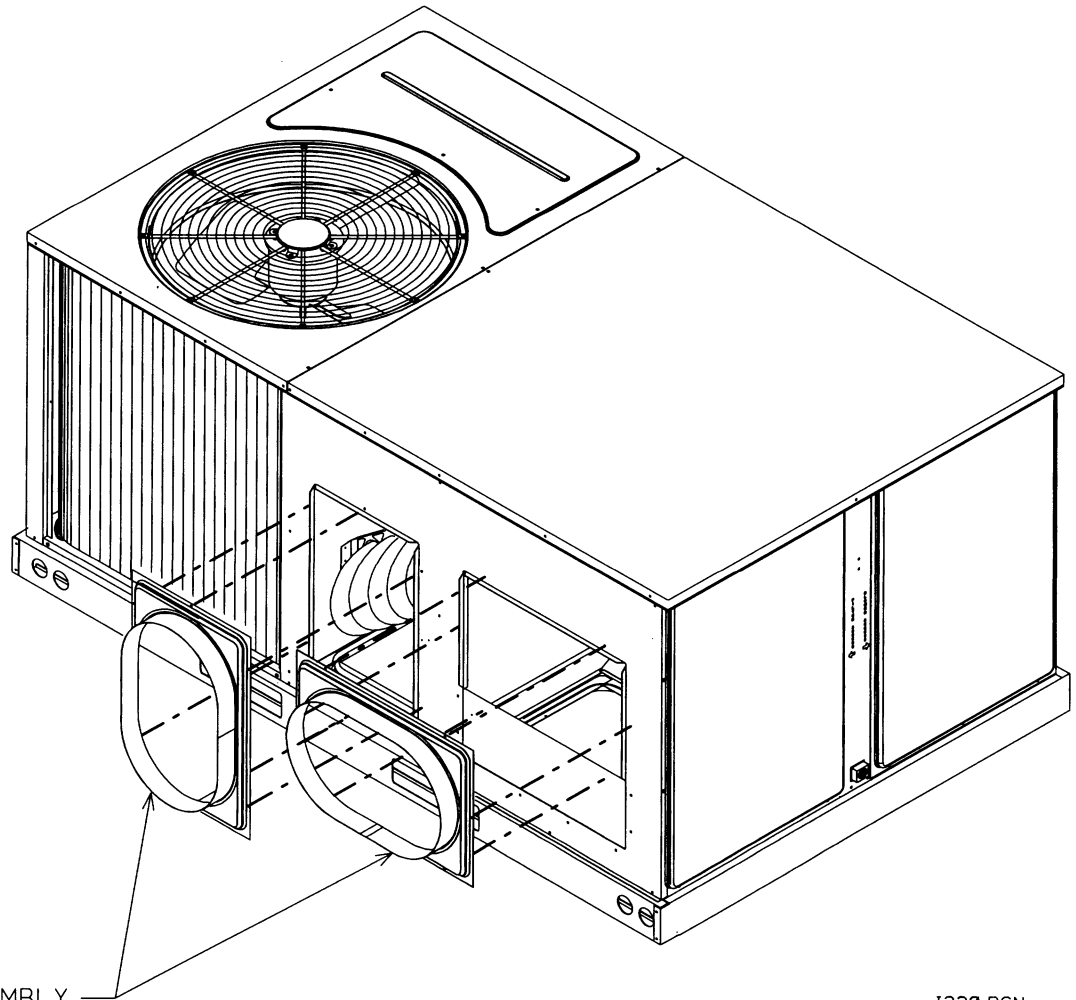
RESIDENTIAL ROOFTOP

DUCT COVER ADAPTER
INSTALLATION

1415
PROJ. 607/608
RESIDENTIAL ROOFTOP
3-31-94

92-23639-03-01

COMMERCIAL ROOFTOP



DUCT ADAPTER ASSEMBLY
(2) REQUIRED PER UNIT

I320.DGN
MGR 11-17-95